

Announcing the NEW YachtSpot PRO **G2** and the Yachtspot 4G+ WiFi **G2** models

The NEW YachtSpot PRO G2 and YachtSpot 4G+ WiFi G2 models allow you to share one Mobile or WiFi Internet connection between all your on board IT and AV equipment, for simple, cost effective, and reliable access to the web across the entire boat using one feature rich device designed specifically for the marine leisure industry.



In addition to superfast 4G and WiFi the NEW YachtSpot PRO G2 allows you to merge Satellite, and Fixed line links into our Internet Control Centre, a simple, all in one place, one click interface which enables switching between all your on-board Internet connection technologies effortlessly.

Our G2 [Generation 2] models are the next evolution in the YachtSpot line featuring improved 4G Mobile and WiFi modules.

YachtSpot PRO G2 - for super-fast web surfing over 4G cellular and WiFi plus our NEW Internet Control Centre



YachtSpot 4G+ WiFi G2 - for super-fast web surfing over 4G cellular and WiFi



YachtSpot WiFi - for quick and easy Internet access using WiFi

What's NEW in YachtSpot PRO **G2**

- All the added functionality of the NEW Yachtspot 4G+ WiFi G2, plus the PRO includes our Internet Control Centre for merging all your Satellite and Fixed line links into our simple, all in one place, one click switching solution. US and EU models available.

What's NEW in YachtSpot 4G+ WiFi **G2**

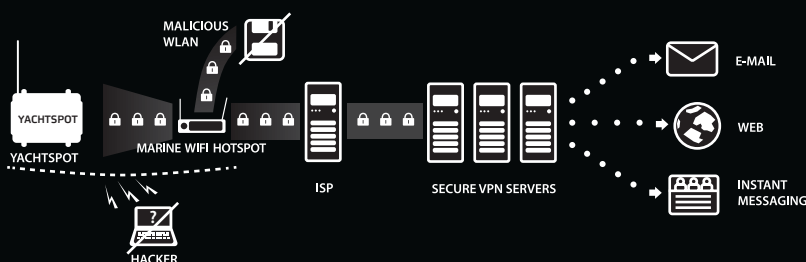
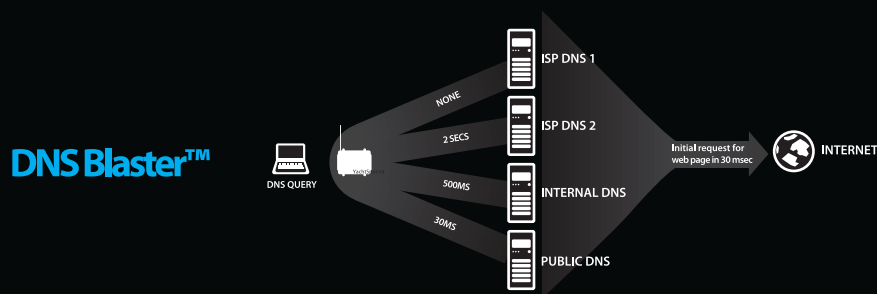
- All the functionality of Yachtspot WiFi, with the addition of 4G Mobile
- NEW powerful LTE E-UTRA, HSPA+ data card supporting a wide range of 4G/3G/2G technologies, with peak downlink speeds up to 100 Mbps, and peak uplink speeds up to 50 Mbps. US and EU models available.
- Option of our NEW powerful WiFi module supporting 802.11 abgn networks on 2.4 GHz and 5 GHz

All models. Benefits for installers, yacht owners, crew, and guests

- Manufactured in the UK, using high quality, tough, seaworthy, professional hardware
- Powerful, carrier class, 400 mW 802.11 b/g WiFi card or the option [4G models only] of our NEW 802.11 abgn card supporting both 2.4 GHz and 5 GHz
- IP67 die-cast aluminium case, with IP67 waterproof fittings
- PoE 'Power over Ethernet'
- N type connectors for externally mounting marine antennas
- Same simple, easy to use user interface with clear instructions, and explanatory icons
- Click to scan, then select, and connect
- Support for WEP, WPA, and WPA2 encryption
- One simple solution to connect and protect all your IT and AV equipment on the Internet
- The only marine WiFi device with a built-in VPN client to protect your web surfing including access to online banking
- Faster web surfing speeds with our DNS Blaster™ technology
- Low cost alternative to Satellite Internet access
- Low install costs, low running costs, low equipment costs
- Professional technical support
- Regular FREE firmware updates with new features. All of our products produced over the last ten years have had a recent firmware update, and all are currently supported and repaired.
- The preferred choice of many of the world's top superyacht yards and installers!
- The security of buying from an established company with a 10 year track record of supplying high quality mobile Internet solutions to the Yacht market

Ask for details of how to share just one external antenna between WiFi and 4G!

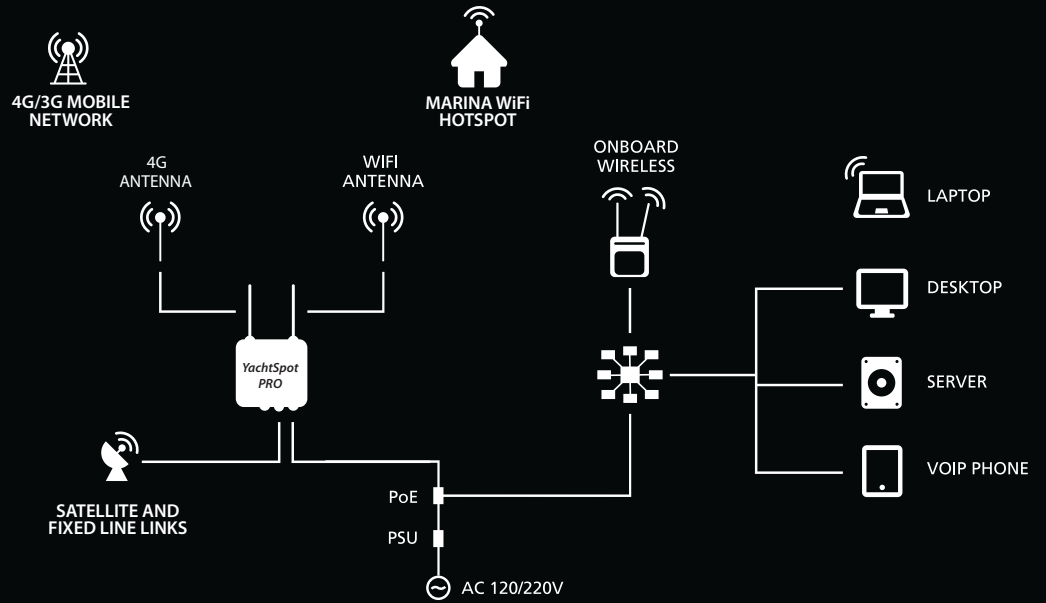
Features specifically designed for life afloat



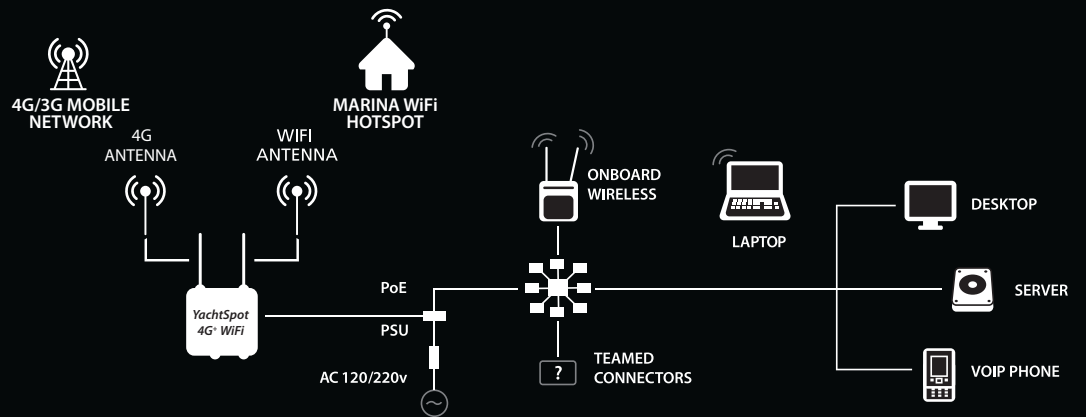
YachtSpot SafeSurf VPN™ Service



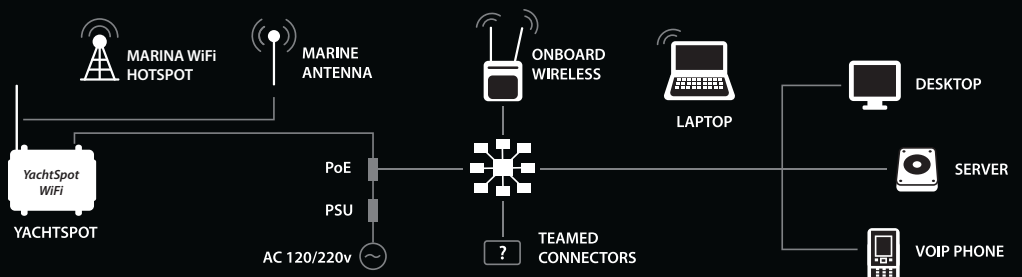
YachtSpot PRO Network Diagram



YachtSpot 4G+ WiFi Network Diagram



YachtSpot WiFi Network Diagram





“It's great for the owner, and for the crew,... really easy to use...”

The Yachtspot range was designed with both the end user, and the professional installer in mind. We've simplified the user interface for the end user, and hidden away the administration pages. ...and for the installer we've included just about every option you will ever need, and we provide real support when you need it.

For more information visit our website:
www.inventicamarine.co.uk
or call +44 207 394 3050

*Our SafeSurf VPN™ service is subject to an annual subscription charge

INVENTICA
MARINE

Inventica Technologies Ltd, Unit C,
Toronto House, Surrey Quays Road, London, SE16 7AJ, UK
t: +44 207 394 3050, w: www.inventicamarine.co.uk,
e: yachtspot@inventicamarine.co.uk
Inventica Technologies Ltd is a company registered in
England and Wales. Company No. 05427927. VAT No.
863630322.